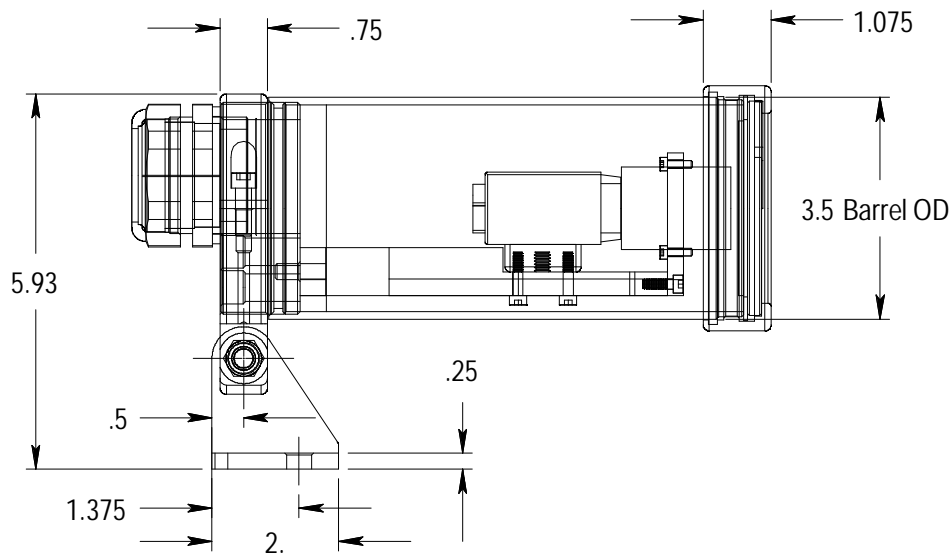
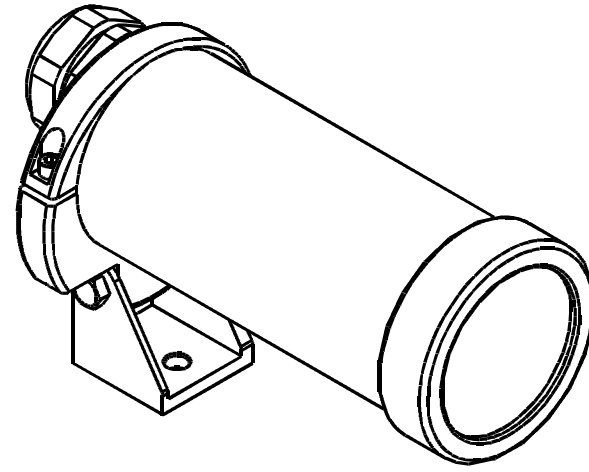
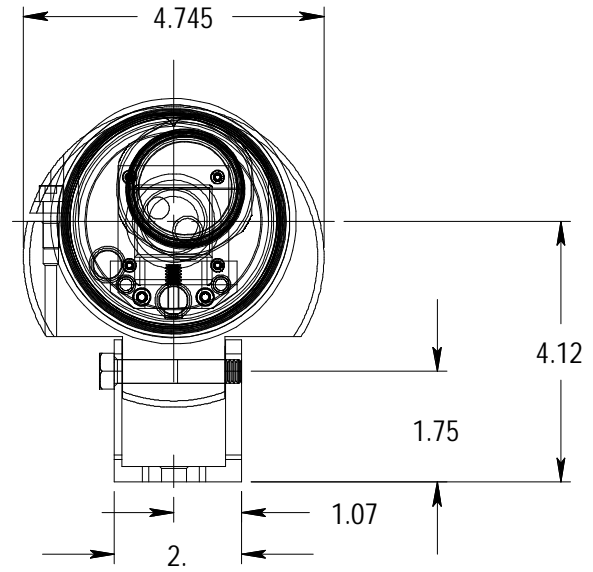


3.26 Barrel ID



3.5 Barrel OD



Camera can be moved forward/back over a .96" range.
 Camera arm is drilled to accept optional 35C-EF Ringlight Mount for LDR2 series ringlights.

					Name	Date	Title	
				Created By	ccm	2006/07/18	35C FDA enclosure for Omron F160	
				Checked By				
				Scale				
				Allison Park Group, Inc. 4091 Route 8, Suite 300 Allison Park, PA 15101 USA Phone +1 (412) 487-8211 Fax +1 (412) 486-3157 www.apgvision.com			Drawing Number	Issue
No	Change	Date	Init				35C-EB	1.0