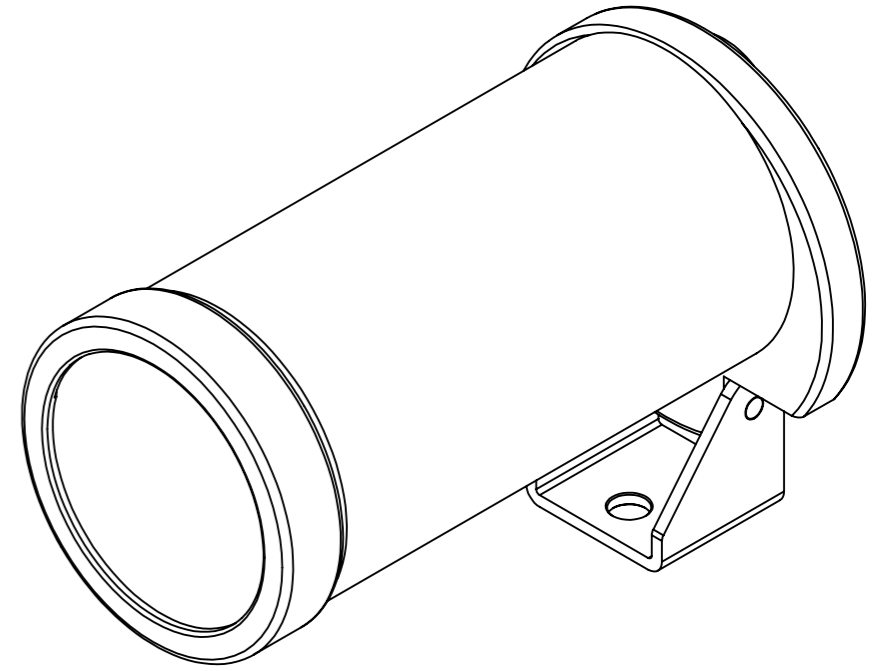
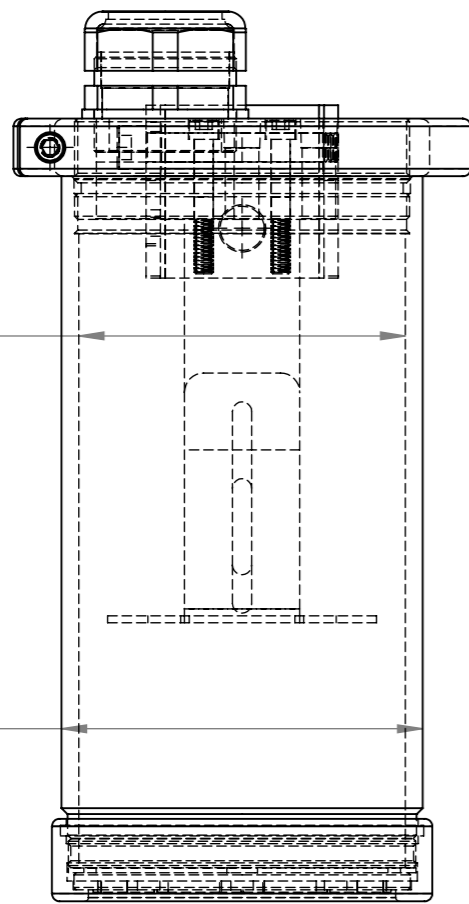
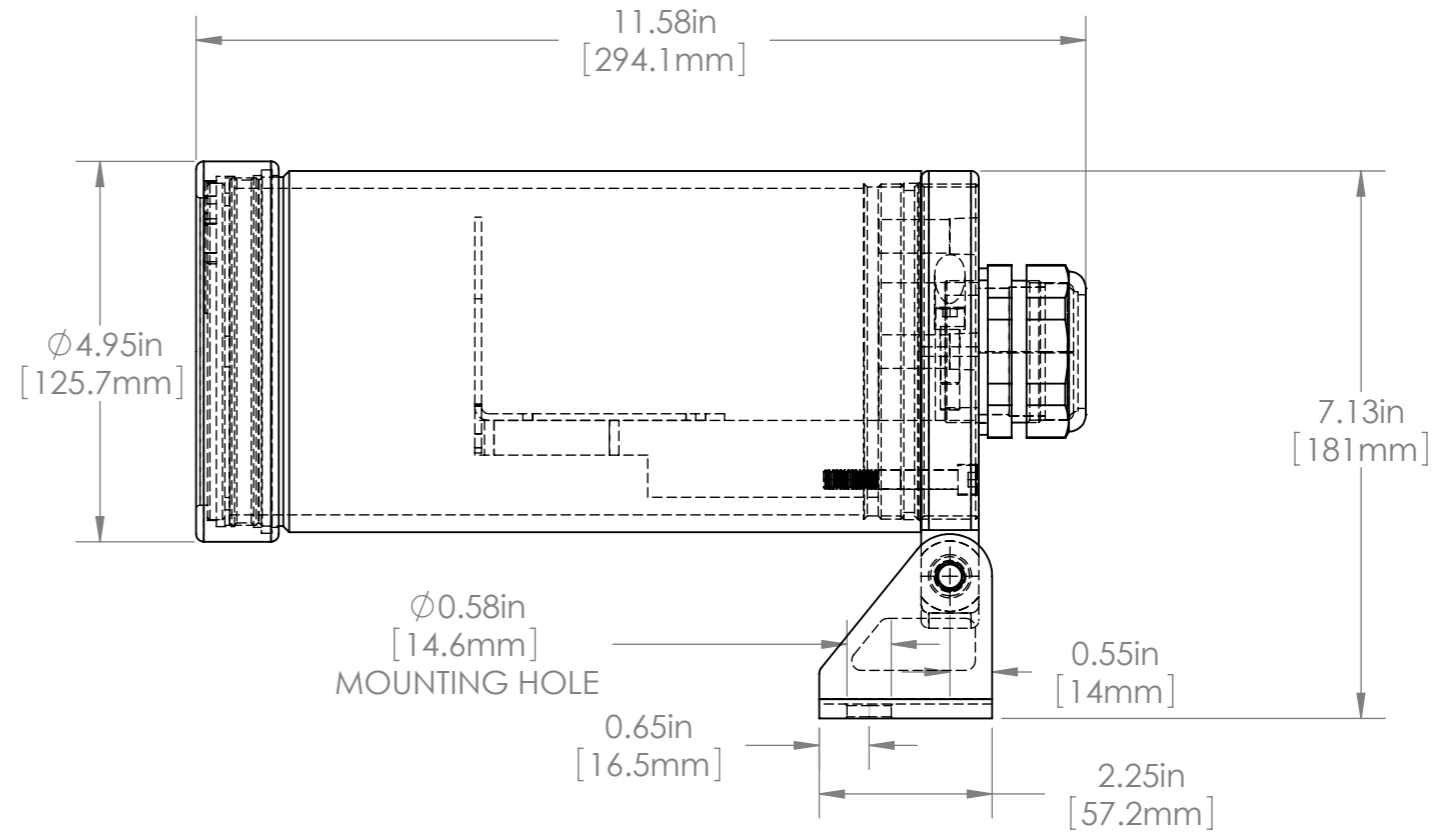
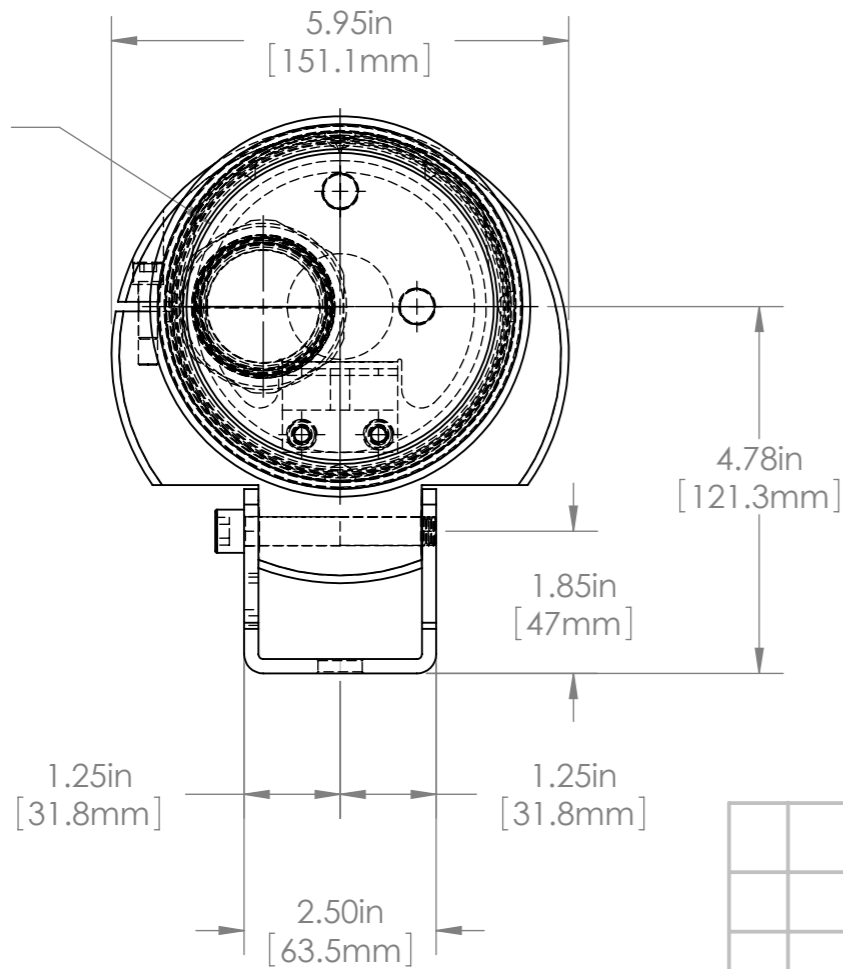


Ø4.25in ID
[108mm]

Ø4.70in OD
[119.4mm]



Ø4.00in
[101.6mm]
VIEWPORT



				UNLESS OTHERWISE SPECIFIED: DIMENSIONS ARE IN INCHES SURFACE FINISH: TOLERANCES: .000= +/- 0.005" .00= +/- 0.010"		FINISH: DEBUR AND BREAK SHARP EDGES		Allison Park Group, Inc. (APG) 4055 Alpha Drive Allison Park, PA 15101 USA		DO NOT SCALE DRAWING		REVISION	
				LINEAR:				Phone +1 (412) 487-8211 Fax +1 (412) 486-3157		This document is the property of APG and is considered company confidential. The information in this document is the property of APG and may not be used, reproduced, or distributed in whole or in part without the prior written permission of APG			
				DRAWN		NAME		SIGNATURE		DATE		TITLE:	
				SCHUBERT						8/17/2010		47C-AG ASSY DIMS (Opteon WAFR & ringlight)	
				CHK'D								DWG NO.	
				APP'VD								47C-AG	
				MFG								A3	
				Q.A								SCALE:1:5	
				NOTES:								SHEET 1 OF 1	
NO.		CHANGE		DATE		INIT.		MATERIAL: 6061 T6 ALUMINUM HARDCOAT ANODIZED		WEIGHT:			